



- **Temperature limiting**
- **Wide voltage range**
- **Dynamic heating up**
- **Energy saving**
- **Compact**

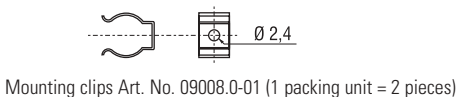
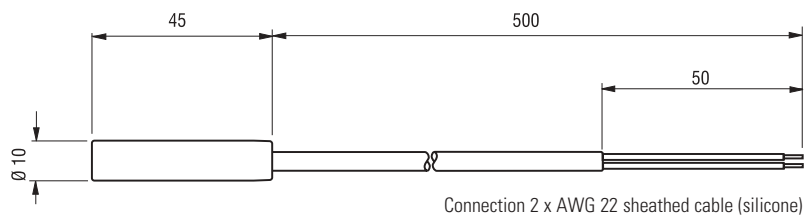
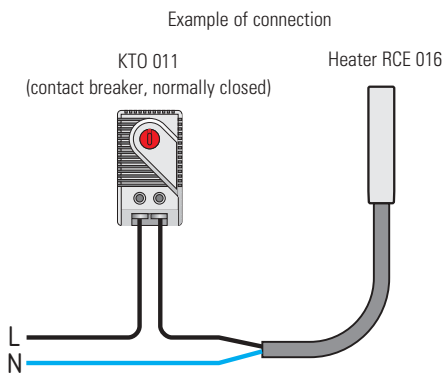
Small heaters designed to prevent condensation and to ensure a minimum operating temperature in small enclosures.



Technical Data

Operating voltage	120-250V AC/DC*
Heating element	PTC resistor, self regulating and temperature limiting
Heater body	aluminium
Mounting	see Accessories
Fitting position	variable
Operating/Storage temperature	-45 to +70°C (-49 to +158°F)
Dimensions	length 45mm, Ø 10mm
Protection type / Protection class	IP32 / II (double insulated)
Approvals	VDE, UL File No. E150057
Accessories	mounting clips (see illustration)
Note	other voltages on request

*Operating with voltages below 140V AC/DC reduces heating performance by approx. 10%.



Art. No.	Heating capacity*	Inrush current max.	Surface temperature (approx.)	Connection	Weight (approx.)
01622.0-00	5W	2.0A	165°C	2 x AWG 22 sheathed cable (silicone)	20g
01623.0-00	9W	2.5A	175°C	2 x AWG 22 sheathed cable (silicone)	20g

*at 20°C (68°F) ambient temperature