

Semiconductor Heater HG 040 Series

- Dynamic heating up
- Temperature limiting
- Energy saving
- Self-regulating (PTC)
- Clip fixing
- Compact


Compact heater for avoiding malfunctions caused by condensation and for use in enclosures where the temperature may not fall below a minimum value. The aluminium profile heater body has a chimney effect and helps to distribute heat evenly.

CE  c  us UL File No. E150057

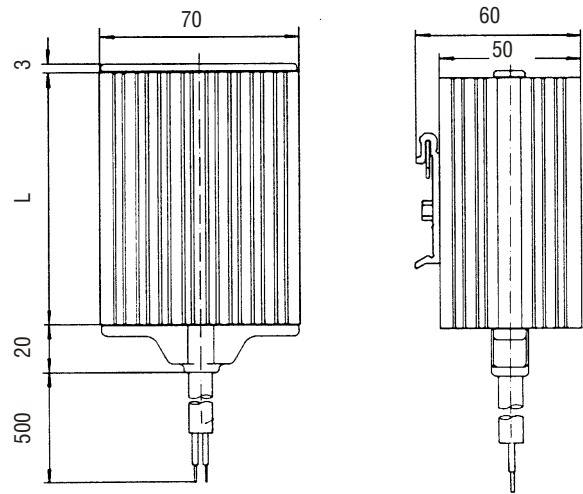
Technical Data

Operating voltage:	AC/DC 110-250V max. 265V¹⁾ other voltages on request
Heating element:	PTC resistor, self regulating and temperature limiting
Heater body:	extruded aluminium profile, anodised
Connection:	3 x 0.75mm ² x 500mm sheathed cable (silicone)
Mounting:	clip for 35mm DIN rail, EN 50022
Fitting position:	preferably vertical
Operating / Storage temp.:	-45 to +70°C
Prot. type / Prot. class:	IP44 / I (earthed)
Approvals:	VDE
Accessories:	screw fixing, art. no. 09024.0-00 (Pack. Unit = 2 pcs)


¹⁾Operating with voltages below AC/DC 140V reduces heating performance by approx. 10%.

Art. No.	 Heating capacity ²⁾	Inrush current max.	Length (L)	Weight (approx.)
04000.0-00	15W	1.5A	65mm	0.3kg
04001.0-00	30W	3.0A	65mm	0.3kg
04003.0-00	45W	3.5A	65mm	0.3kg
04005.0-00	60W	2.5A	140mm	0.4kg
04006.0-00	75W	4.0A	140mm	0.5kg
04007.0-00	100W	4.5A	140mm	0.5kg
04008.0-00	150W	9.0A	220mm	0.7kg

²⁾at 20°C ambient temperature



Operating voltage:	AC/DC 100-120V
Heating element:	PTC resistor, self regulating and temperature limiting
Heater body:	extruded aluminium profile, anodised
Connection:	3 x AWG 18 x 500mm SJT sheathed cable
Mounting:	clip for 35mm DIN rail, EN 50022
Fitting position:	preferably vertical
Operating / Storage temp.:	-45 to +70°C (-49 to +158°F)
Prot. type / Prot. class:	IP44 / I (earthed)
Approvals:	UL File E150057
Accessories:	screw fixing, art. no. 09024.0-00 (Pack. Unit = 2 pcs)

Art. No.	 Heating capacity ²⁾	Inrush current max.	Length (L)	Weight (approx.)
04000.9-00	15W	1.0A	65mm	0.3kg
04001.9-00	30W	1.0A	65mm	0.3kg
04004.9-00	50W	2.0A	140mm	0.5kg
04007.9-00	80W	2.5A	220mm	0.7kg
04009.9-00	100W	4.5A	220mm	0.7kg

²⁾at 20°C (68°F) ambient temperature