

Touch-Safe Small Heater CSK 060 Series (Semiconductor)

10W, 20W



- **Low surface temperature**
- **Double insulated (plastic housing)**
- **Wide voltage range**
- **Temperature limiting**
- **Dynamic heating up**
- **Clip fixing**

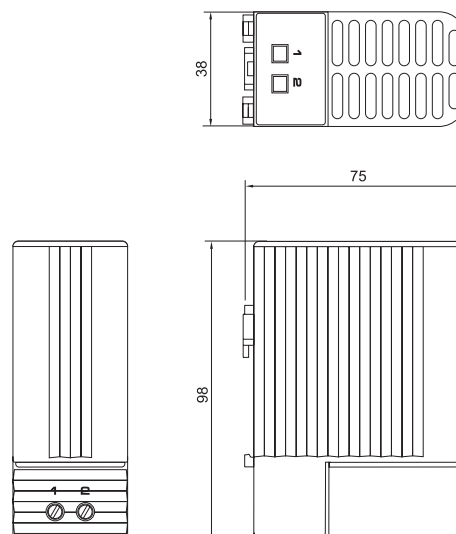
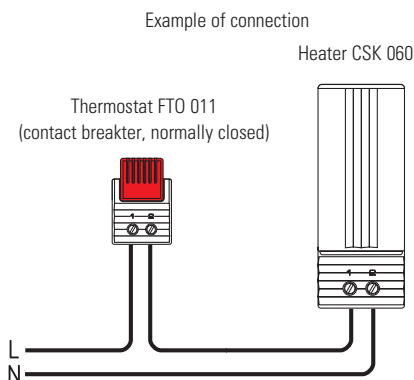
The heaters are used in enclosures where condensation is to be prevented or the temperature may not fall below a minimum value. In this way corrosion is avoided and an even temperature is ensured. The heaters are designed for permanent operation.



Technical Data

Operating voltage	120 - 240V AC/DC* (min. 110V, max. 265V)
Heating element	PTC resistor - temperature limiting
Surface temperature	< 85°C (185°F) (according to VDE 0100), except upper protective grille
Connection	2-pole terminal 2.5mm ² , torque 0.8Nm max.
Mounting	clip for 35mm DIN rail, EN 50022
Casing	plastic according to UL94 V-0, black
Dimensions	98 x 38 x 75mm
Fitting position	vertical
Operating/ Storage temperature	-45°C to +70°C (-49°F to +158°F)
Protection type / Protection class	IP20 / II (double insulated)
Approvals	VDE + UL File No. E150057
Note	other voltages on request

*Operating with voltages below 140V AC/DC reduces heating performance by approx 10%.



Art. No.	Heating capacity*	Inrush current max.	Weight (approx.)
06040.0-00	10W	1.0A	0.20kg
06030.0-00	20W	2.5A	0.30kg

* at 20°C (68°F) ambient temperature