

# Tamperproof Dual-Thermostat (Pre-set) FTD 011

- **NO and NC in one casing**
- **Default temperature settings**
- **High switching accuracy**
- **Clip fixing**



Two thermostats in one casing:

**Tamperproof (Pre-set) Thermostat/Contact breaker (NC)** for regulating heaters or for switching signal devices when temperature has fallen below the minimum value. The contact opens when temperature is rising.

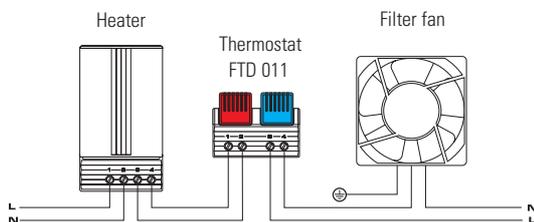
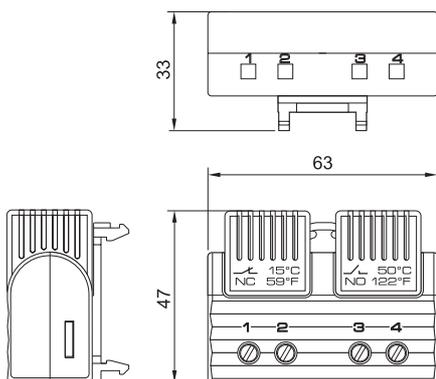
**Tamperproof (Pre-set) Thermostat/Contact maker (NO)** for regulating filter fans, heat exchangers or for switching signal devices when temperature limit has been exceeded. The contact closes when temperature is rising.

Heaters and cooling equipment can be switched independently from each other with a temperature offset as opposed to the usual change-over contacts.



## Technical Data

<b>Sensor element</b>	thermostatic bimetal
<b>Contact type</b>	snap-action contact
<b>Contact resistance</b>	< 20mΩ
<b>Service life</b>	> 100,000 cycles
<b>Max. switching capacity</b>	240V AC, 5 (1.6)A 120V AC, 10 (2)A DC 30W
<b>Max. inrush current</b>	AC 10A
<b>EMC</b>	acc. to EN 55014-1-2, EN 61000-3-2, EN 61000-3-3
<b>Connection</b>	4-pole terminal for 2.5mm <sup>2</sup> , torque 0.8Nm max.
<b>Mounting</b>	clip for 35mm DIN rail, EN 50022
<b>Casing</b>	plastic according to UL94 V-0, light grey
<b>Dimensions</b>	47 x 63 x 33mm
<b>Weight</b>	approx. 40g
<b>Fitting position</b>	variable
<b>Operating/Storage temperature</b>	-20 to +80°C (-4 to +176°F) / -45 to +80°C (-49 to +176°F)
<b>Prot. type</b>	IP20
<b>Approvals</b>	VDE + UL File No. E164102



Example of connection

Art. No.	Contact breaker (NC)		Contact maker (NO)	
	Switch-off temperature	Switch-on temperature	Switch-on temperature	Switch-off temperature
01163.0-00	15°C / 59°F (± 5K tolerance)	5°C / 41°F (± 5K tolerance)	50°C / 122°F (± 6K tolerance)	40°C / 104°F (± 7K tolerance)
01163.0-01	25°C / 77°F (± 5K tolerance)	15°C / 59°F (± 5K tolerance)	60°C / 140°F (± 6K tolerance)	50°C / 122°F (± 7K tolerance)
01163.0-02	15°C / 59°F (± 5K tolerance)	5°C / 41°F (± 5K tolerance)	35°C / 95°F (± 6K tolerance)	25°C / 77°F (± 7K tolerance)
01163.0-03	25°C / 77°F (± 5K tolerance)	15°C / 59°F (± 5K tolerance)	50°C / 122°F (± 6K tolerance)	40°C / 104°F (± 7K tolerance)

Art. No.	Contact maker (NO)		Contact maker (NO)	
	Switch-on temperature	Switch-off temperature	Switch-on temperature	Switch-off temperature
01164.0-00	50°C / 122°F (± 6K tolerance)	40°C / 104°F (± 7K tolerance)	60°C / 140°F (± 6K tolerance)	50°C / 122°F (± 7K tolerance)